

# X-LITE COC

Hi-Resolution, Hi-Sensitivity, and  
Miniature Thermal Imaging Sensor



World's first  
Thermal ASIC  
("Camera On Chip")

Sights and Surveillance



## X-LITE COC Benefits

- Hi-Resolution - 640x480, 17 $\mu$ m pixel pitch
- Hi-Sensitive - NEDT  $\leq$ 32mK (@ f#=1)
- Light weight - < 100gr (Sensor only).
- Start-Up time - < 3 seconds
- Power Consumption - < 1 Watt
- Miniature Sensor Size - only 38X34X41mm

**SENSO**PTICS  
SENSING YOUR TARGET

## X-LITE COC FEATURES

**X-LITE COC** is an uncooled miniature thermal sensor, compact in size and low-Weight.

**X-LITE COC** utilizes an Hi-Resolution and Hi-Sensitive VOx Micro-bolometer detector with 640x480,17 $\mu$  pixels, generates sharp and clear images which resulted in better DRI (Detection, Recognition & Identification) capabilities, and enables the user to see clearly and farther in total darkness.

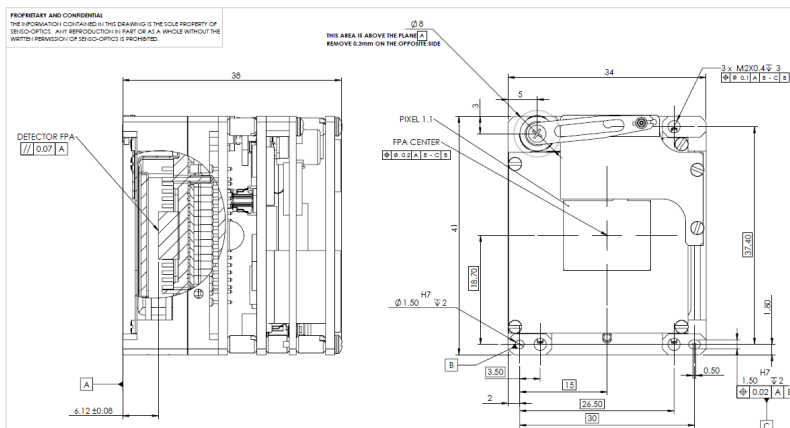
**X-LITE COC** is equipped with Smart Algorithm, e.g. Anti-Blooming, time & spatial de-noise, Temperature Range compression, High detailing (HD) Clatinex™ algorithm for local contrast enhancement, digital zoom, lens' zoom, focus & shutter control drivers, polarity, and more.

**X-LITE COC** utilizes HS (High-Sensitive) VOx detector with NETD  $\leq$  32mk@F#/1, generates unmatched image quality instantly from "Power-On".

**X-LITE COC** gives customers such as military personnel, Search & Rescue teams, law enforcement officers, HLS and security teams, the information needed for critical decisions, maximizes operation capabilities, enhances mission effectiveness and improves safety.

## X-LITE COC Specifications

<b>Detector Technology</b>	Uncooled micro-bolometer High Sensitive (HS) VOx detector
<b>Array Format</b>	640x480, 17 $\mu$ m pixel pitch
<b>Spectral Range</b>	8 $\div$ 12 $\mu$ m
<b>Frame Rate</b>	50/60 Hz
<b>NETD (@25°C, 30Hz, f#/1)</b>	$\leq$ 32mK
<b>Input Voltage</b>	4-16 Volt, 12 VDC Nominal
<b>Video Interfaces</b>	CCIR (PAL) or RS-170 (NTSC) , SVGA 800x600, MHL digital interface
<b>Driver Interfaces</b>	3 Step Motor integrated drivers (zoom, focus & shutter)
<b>Dimensions</b>	38mm x 34mm x 41 mm (with I/O and power cards) - See ICD below
<b>Communication</b>	RS232/422, USB 2.0
<b>Operating Temperature Range</b>	-20°C÷60°C (-40°C÷60°C within enclosure)
<b>Storage Temperature</b>	-40°C÷71°C
<b>Shock and vibration</b>	According to MIL-STD-810
<b>Power Consumption</b>	< 1 Watt
<b>Sensor Weight</b>	< 100 g
<b>Environmental Qualification</b>	MIL- STD-810
<b>Time to Image</b>	< 3 seconds



**SENSO OPTICS**  
SENSING YOUR TARGET

P.O.Box 600 Industrial Park, Yokneam 20692, Israel  
Telephone +972 4 9935527 Fax +972 4 9935894  
info@senso-optics.com [www.senso-optics.com](http://www.senso-optics.com)